



**Manually  
Operated  
Superlift™  
Contractor**

**SLC™**

○ Portable material lift  
for construction and  
industrial applications.



**Genie Australia**  
GENIE MEANS MORE THAN LIFTING

**The Superlift Contractor is an ideal tool for construction firms and every kind of contractor.**

**Standard Features**

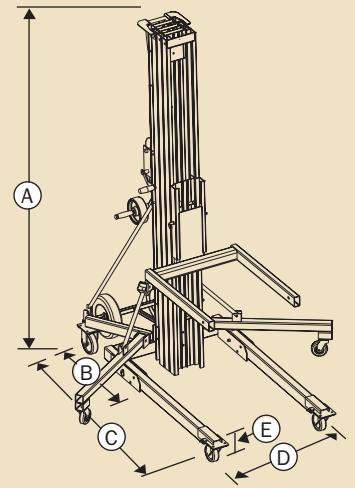
- Heavy duty design, yet lightweight and portable.
- Quick setup requires no tools.
- Loads easily into a pickup truck for transporting.
- Rear transport wheel assembly.
- 10 cm (4 in) front casters and 13 cm (5 in) rear casters with side brakes are standard.
- Hold-down bar holds mast assembly in place during transport.

**Options and Accessories**

- Fixed front caster option
- Two-speed winch
- Stabiliser set (standard on SLC-18 and SLC-24)

**Standards Compliance**

- AS 1418.2



**Specifications**

Model	SLC-12		SLC-18		SLC-24	
	Metric	US	Metric	US	Metric	US
(A) Height - stowed	2.18 m	86 in	2.18 m	86 in	2.18 m	86 in
(B) Length - stowed	86 cm	34 in	86 cm	34 in	86 cm	34 in
(C) Length - operating	1.6 m	63 in	1.85 m	73 in	2.06 m	81 in
(D) Width	80 cm	31 1/2 in	80 cm	31 1/2 in	80 cm	31 1/2 in
Width-stabilisers lowered	1.68 m	66 in	1.68 m	66 in	1.68 m	66 in
(E) Ground clearance	5 cm	2 in	5 cm	2 in	5 cm	2 in
Load height - min	15 cm	6 in	15 cm	6 in	15 cm	6 in
Weight - standard base	93 kg	204 lb	139 kg	307 lb	170 kg	374 lb
Average cranks						
-Standard winch	27.8 / m	8 1/2 / ft	27.8 / m	8 1/2 / ft	27.8 / m	8 1/2 / ft
-Two-speed winch, high	13.1 / m	4 / ft	13.1 / m	4 / ft	13.1 / m	4 / ft
-Two-speed winch, low	49.2 / m	15 / ft	49.2 / m	15 / ft	49.2 / m	15 / ft

**Load Capacity**

36 cm (14 in) load centre	295 kg	650 lb	295 kg	650 lb	295 kg	650 lb
61 cm (24 in) load centre	193 kg	425 lb	193 kg	425 lb	193 kg	425 lb
1.07 m (42 in) load centre		82 kg	180 lb	73 kg	160 lb	73 kg 160 lb

**Working Height**

Standard forks						
forks down	3.4 m	11 ft 2 in	5.1 m	16 ft 9 in	6.78 m	22 ft 3 in
forks up	3.94 m	12 ft 11 in	5.64 m	18 ft 6 in	7.32 m	24 ft
Adjustable forks						
forks down	3.4 m	11 ft 2 in	5.1 m	16 ft 9 in	6.78 m	22 ft 3 in
forks up	3.94 m	12 ft 11 in	5.64 m	18 ft 6 in	7.32 m	24 ft
Boom	3.7 m	12 ft 2 in	5.41 m	17 ft 9 in	7.1 m	23 ft 3 in

Load Handling Attachments	Length		Width		Depth		Weight	
Standard forks	71 cm	28 in	58 cm	23 in	6 cm	2 1/2 in	12 kg	26 1/2 lb
Adjustable forks	70 cm	27 1/2 in	28-76 cm	11-30 in	6 cm	2 1/2 in	24 kg	52 1/2 lb
Fork extensions (each)	76 cm	30 in	5 cm	2 in	8 cm	3 in	2 kg	4 1/2 lb
Boom	46-107 cm	18-42 in	4 cm	1 1/2 in	15 cm	6 in	16 kg	34 1/2 lb
Pipe cradle	70 cm	27 1/2 in	61 cm	24 in	15 cm	6 in	4.5 kg	10 lb
Load platform	67 cm	26 1/4 in	58 cm	23 in	6 cm	2 1/2 in	12 kg	26 1/2 lb

Distributed By:

**Genie Industries**

**GENIE AUSTRALIA**

591 Boundary Road, Darra Qld 4076  
 PO Box 394, Richlands Qld 4077  
 Telephone **07 3375 1660**  
 Toll Free in Australia **1800 331 660**  
 Fax 07 3375 1002  
<http://www.genieindustries.com>

**GENIE UNITED STATES**

18340 NE 76th Street  
 P.O. Box 97030  
 Redmond, Washington 98073-9730  
 Telephone **(425) 881-1800**  
 Toll Free in USA/Canada **800-536-1800**  
 Fax (425) 883-3475  
<http://www.genieindustries.com>

For further information, please contact your local distributor or the Genie sales office listed. Continuous improvement of our products is a Genie policy. Product specifications are subject to change without notice or obligation. The photographs and drawings in this brochure are for illustrative purposes only. Refer to the appropriate Genie SLC Operator's Manual for instructions on the proper use of this equipment. Failure to follow the appropriate Operator's Manual when using a Genie SLC or to otherwise act irresponsibly, may result in serious injury or death. Copyright © 1997 by Genie Industries. "Genie," "Superlift" and "Superlift Contractor" are Registered Trademarks of Genie Industries in the USA and many other countries. Genie is the owner of U.S. Patents: 5,584,363, 5,515,945, 5,667,352, 5,645,142 and Patents Pending. Genie is a Terex Company. SLC 5K 1103G. Part No. 65011. GEN0339. April 2004.