

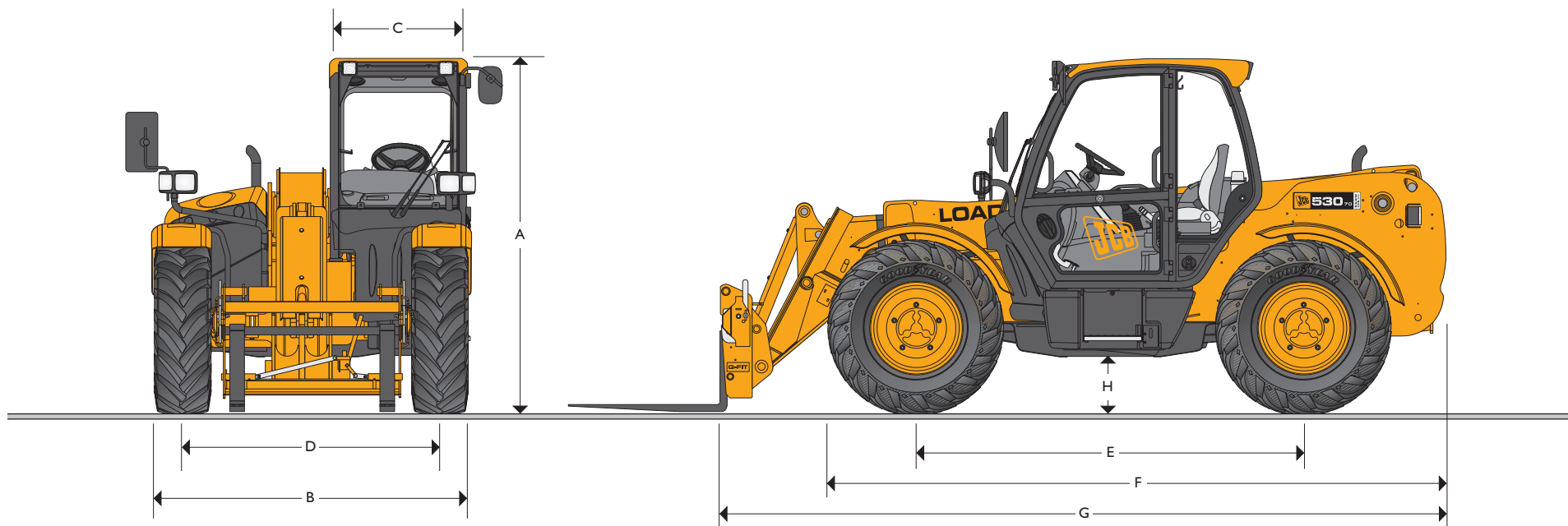


JCB LOADALL FARM SPECIAL PLUS | 530-70/540-70



530-70 MAX. PAYLOAD: 3000kg (6614lb)
 MAX. LIFT HEIGHT: 7.0m (23ft)
 MAX. HORSEPOWER: 90.5kW (121hp)
 MAX. SPEED 33kph (20mph)

540-70 MAX. PAYLOAD: 4000kg (8818lb)
 MAX. LIFT HEIGHT: 7.0m (23ft)
 MAX. HORSEPOWER: 90.5kW (121hp)
 MAX. SPEED 33kph (20mph)



STATIC DIMENSIONS

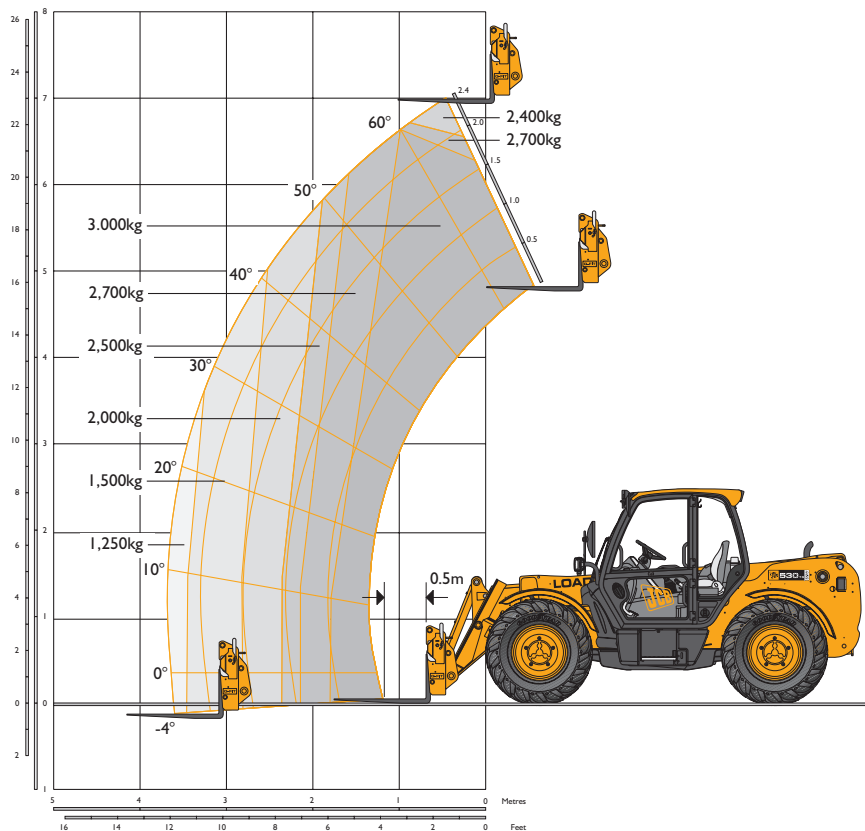
Machine model	530-70
	m (ft-in)
A Overall height	2.49 (8-2)
B Overall width (over tyres)*	2.23 (7-4)
C Inside width of cab	0.94 (3-1)
D Front track	1.81 (5-11)
E Wheelbase	2.75 (9-0)
F Overall length to front tyres	4.38 (14-4)
G Overall length to front carriage	4.99 (16-4)
H Ground clearance	0.46 (1-4)
Outside turn radius (over tyres)	3.7 (12-2)
Weight	kg (lb) 6800 (14998)
Tyres	15.5/80x24

Machine model	540-70
	m (ft-in)
A Overall height	2.49 (8-2)
B Overall width (over tyres)	2.23 (7-4)
C Inside width of cab	0.94 (3-1)
D Front track	1.81 (5-11)
E Wheelbase	2.75 (9-0)
F Overall length to front tyres	4.38 (14-4)
G Overall length to front carriage	4.99 (16-4)
H Ground clearance	0.46 (1-4)
Outside turn radius (over tyres)	3.7 (12-2)
Weight	kg (lb) 7850 (17306)
Tyres	15.5/80x24

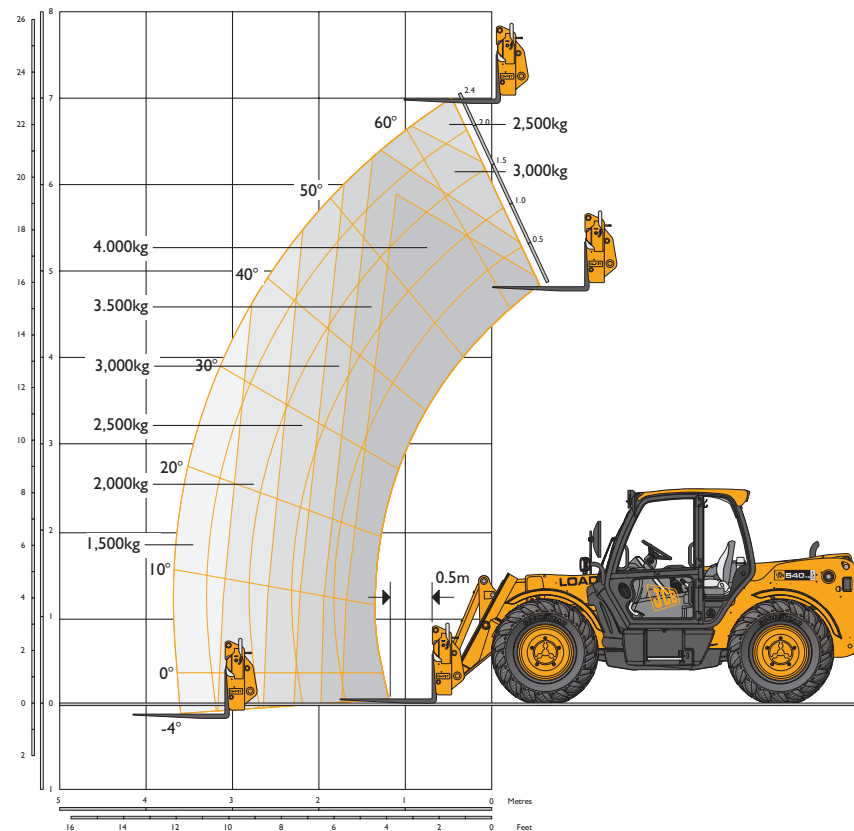
*Dependant upon tyre specified.



LIFT PERFORMANCE – 530-70



LIFT PERFORMANCE – 540-70



LIFT PERFORMANCE – 530-70

Machine Model		530-70
Maximum lift capacity	kg (lb)	3000 (6614)
Lift capacity to full height	kg (lb)	2400 (5291)
Lift capacity at full reach	kg (lb)	1250 (2756)
Lift height	m (ft-in)	7.0 (23-0)
Reach at maximum lift height	m (ft-in)	0.48 (1-7)
Maximum forward reach	m (ft-in)	3.7 (12-2)
Reach with 1 tonne load	m (ft-in)	3.7 (12-2)
Placing height	m (ft-in)	6.3 (20-8)

Complies with stability test EN 1459 Annex B.

LIFT PERFORMANCE – 540-70

Machine Model		540-70
Maximum lift capacity	kg (lb)	4000 (8818)
Lift capacity to full height	kg (lb)	2500 (5511)
Lift capacity at full reach	kg (lb)	1500 (3307)
Lift height	m (ft-in)	7.0 (23-0)
Reach at maximum lift height	m (ft-in)	0.48 (1-7)
Maximum forward reach	m (ft-in)	3.7 (12-2)
Reach with 1 tonne load	m (ft-in)	3.7 (12-2)
Placing height	m (ft-in)	6.3 (20-8)

Complies with stability test EN 1459 Annex B.



JCB LOADALL FARM SPECIAL PLUS | 530-70/540-70



ENGINE

Latest technology and advanced design provides low fuel consumption, reduced noise, high torque and power output, total reliability and minimal maintenance.

Easily replaceable pre-finished dry liners, five bearing, heat treated crankshaft. Expansion controlled pistons.

Two-stage, dry type air filter with primary and safety elements.

Machine Model		530-70/540-70
Displacement	ltr (in ³)	4.4 (269)
No. of cylinders		4
Bore size	mm (in)	105 (4.13)
Stroke	mm (in)	127 (5)
Aspiration		Turbo Intercooled
Power rating		
Power @ 2200rpm	kW (HP)	90.5 (121)
Torque rating		
Torque @ 1400rpm	Nm (lbf ft)	434 (320)

TRANSMISSION

JCB powershift transmission incorporating torque converter, bevel box and a 4 speed powershift gearbox in one resiliently mounted unit.

A combined steering column mounted switch incorporating directional control and 4 forward and 4 reverse powershift gears.

Travel speed 33kph (20mph).

Front and rear drive axles: JCB epicyclic hub reduction drive/steer axles with Max-Trac torque proportioning differentials.

Permanent 4 wheel drive.

BRAKES

Service brakes: Servo-assisted hydraulically activated, self-adjusting, oil-immersed in-board multi-disc type on front axle.

Parking brake: Hand operated disc brake on output of gearbox.

BOOM AND CARRIAGE

Boom is manufactured from high tensile steel.

Low maintenance, hard wearing pads.

JCB Q-fit self-levelling carriage with lever operated pin locking accepts pallet forks and a wide range of attachments.

One boom end auxiliary hydraulic service fitted as standard.

SAFETY CHECK VALVES

Fitted to carriage tilt, telescopic and boom lift rams.

SERVICE CAPACITIES

Fuel tank	litres (UK gal)	125 (27.5)
Hydraulic tank	litres (UK gal)	113 (24.8)
Coolant	litres (UK gal)	23 (5.1)

HYDRAULICS

Load sensing valve, three stage gear pump with suction strainer and filter.

		530-70	540-70
Operating system pressure	bar (psi)	241 (3500)	260 (3770)
Main Hydraulics	ltrs/min	110	110
Hydraulic Cycle Times		Seconds	Seconds
Boom raise		5.8	6.7
Boom lower		4.5	5.3
Extend		6.1	6.1
Retract		5.5	5.5
Bucket dump		3.2	3.2
Bucket crowd		2.5	2.5

ELECTRICS

12 v negative earth. 92 AH battery. 85 amp alternator. Full road lighting. Reversing light. Direction indicators. Hazard warning. Reverse alarm.

DELUXE CAB

Quiet, safe and comfortable cab conforms to ROPS ISO 3471 and FOPS ISO 3449. Fitted with storage trays, cup holder and radio console. Tinted glass all round with laminated front and roof screen. Roof bars, front, rear and roof screen wash/wipe and heater/screen demister. Opening rear window. Audio-visual warning system for coolant temperature, engine oil pressure, air cleaner, battery charge, transmission oil temperature and pressure. Hourmeter and road speed indicator. Engine temperature and fuel gauge.

Single lever joystick, incorporating a transmission disconnect, controls all boom functions. Adjustable steer column with stalk bar powershift change and forward reverse shuttle. Arm rest and smoking pack. Throttle and brake pedal floor mounted. Adjustable deluxe suspension seat with adjacent park brake.

Automatic eye level audio-visual load moment indicator warning system receiving a signal from a load sensor on the rear axle. This system continuously monitors the machine's forward stability and leaves the operator in control at all times.

STEERING

Hydrostatic power steering with power track rods on both axles.

Three steer mode options: front wheel steer; all wheel steer; crab steer: operated from in the cab by a selection switch, or with automatic alignment.

OPTIONS AND ACCESSORIES

Options: Front and rear working lights, rotating flashing beacon, fire extinguisher, radial industrial tyres, electrical 2/4WD select, limited slip differential in front axle, windscreen and roof guard, air suspension seat, roof and front screen blind, radio kit, heavy duty battery, air conditioning, reversing fan.

Attachments: Contact your local dealer for details of the comprehensive range.



A GLOBAL COMMITMENT TO QUALITY

JCB's total commitment to its products and customers has helped it grow from a one-man business into Britain's largest privately owned manufacturer of backhoe loaders, crawler excavators, wheeled excavators, telescopic handlers, wheeled loaders, dump trucks, rough terrain fork lifts, industrial fork lifts, mini/midi excavators, skid steer loaders and tractors.

By making constant and massive investments in the latest production technology, the JCB factories have become some of the most advanced in Europe.

By leading the field in innovative research and design, extensive testing and stringent quality control, JCB machines have become renowned all over the world for performance, value and reliability.

And with a global sales and service network of over 400 distributors and agents, the company exports over 70% of its production to all five continents.

Through setting the standards by which others are judged, JCB has become one of Britain's most impressive success stories.

